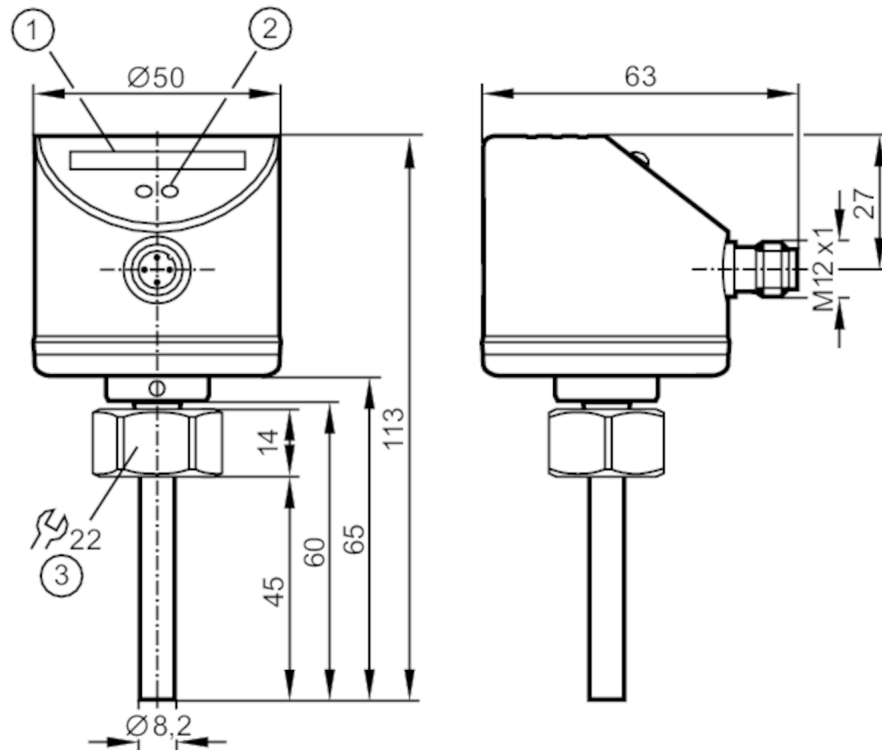


# SI5002



## Flow monitor

SID10ADBFPKG/US-100



- 1 LED bar display
- 2 setting pushbutton
- 3 Tightening torque 25 Nm



### Application

Media		Liquids; Gases
Medium temperature	[°C]	-25...80
Pressure rating	[bar]	300

### Liquids

Medium temperature	[°C]	-25...80
--------------------	------	----------

### Gases

Medium temperature	[°C]	-25...80
--------------------	------	----------

### Electrical data

Operating voltage	[V]	18...36 DC
Current consumption	[mA]	< 60
Protection class		III
Reverse polarity protection		yes
Power-on delay time	[s]	10

### Inputs / outputs

Number of inputs and outputs		Number of digital outputs: 2
------------------------------	--	------------------------------

# SI5002



## Flow monitor

SID10ADBFPKG/US-100

Outputs	
Total number of outputs	2
Output signal	switching signal; IO-Link; (configurable)
Electrical design	PNP
Number of digital outputs	2
Output function	normally open / normally closed; (parameterisable)
Max. voltage drop switching output DC [V]	2.5
Permanent current rating of switching output DC [mA]	250
Short-circuit protection	yes
Type of short-circuit protection	pulsed
Overload protection	yes
Measuring/setting range	
Probe length L [mm]	45
Liquids	
Setting range [cm/s]	3...300
Greatest sensitivity [cm/s]	3...100
Gases	
Setting range [cm/s]	200...3000
Greatest sensitivity [cm/s]	200...800
Accuracy / deviations	
Repeatability [cm/s]	1...5
Temperature drift [cm/s x 1/K]	0.1; (for water 5...100 cm/s; 10...70 °C)
Temperature gradient [K/min]	300
Switch point accuracy [cm/s]	± 2...± 10; (for water 5...100 cm/s; 25 °C; Factory setting)
Hysteresis [cm/s]	2...5; (for water 5...100 cm/s; 25 °C; Factory setting)
Response times	
Response time [s]	1...10
Liquids	
Response time [s]	1...10
Gases	
Response time [s]	1...10
Software / programming	
Adjustment of the switch point	pushbutton

# SI5002



## Flow monitor

SID10ADBFPKG/US-100

Interfaces	
Communication interface	IO-Link
Transmission type	COM2 (38,4 kBaud)
IO-Link revision	1.1
SDCI standard	IEC 61131-9
IO-Link device ID	51 d / 00 00 33 h
Profiles	Smart Sensor: Process Data Variable; Device Identification
SIO mode	yes
Required master port type	A
Process data analogue	2
Process data binary	2
Min. process cycle time [ms]	3

Operating conditions	
Ambient temperature [°C]	-25...80
Storage temperature [°C]	-25...100
Protection	IP 65; IP 67

Tests / approvals		
EMC	DIN EN 60947-5-9	
Shock resistance	DIN IEC 60068-2-27	50 g (11 ms)
Vibration resistance	DIN EN 60068-2-6	20 g (55...2000 Hz)
MTTF [years]		277

Mechanical data	
Weight [g]	237.8
Dimensions [mm]	M18 x 1.5
Thread designation	M18 x 1.5
Materials	stainless steel (1.4404 / 316L); stainless steel (1.4310 / 301); PC; PBT-GF20; EPDM/X
Materials (wetted parts)	stainless steel (1.4404 / 316L); O-ring: FKM 80 Shore A
Process connection	M18 x 1,5 internal thread

Displays / operating elements		
Display	function	10 x LED, three-colour

Remarks	
Pack quantity	1 pcs.

## Electrical connection

Connector: 1 x M12



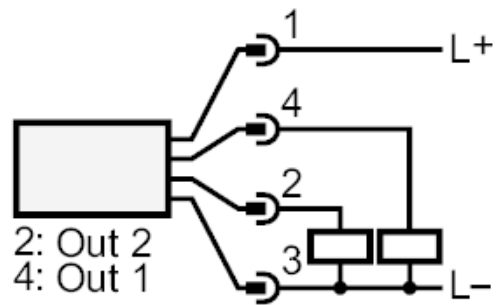
# SI5002

## Flow monitor

SID10ADBFPKG/US-100



### Connection



Pin 4: IO-Link