

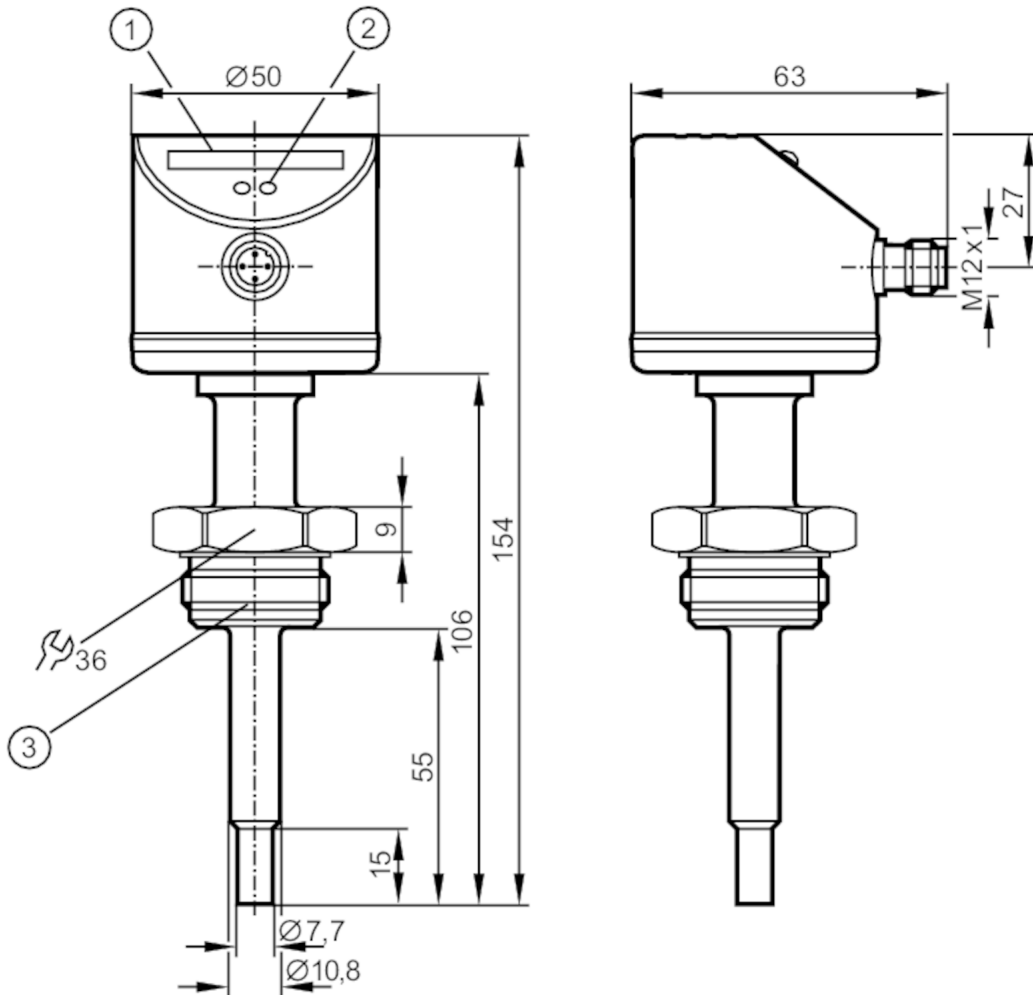
SI6000



Flow monitor

SIS30ABBFPKG/US-100-IPF

Please do not use for new projects.
no more adapters available as accessories



- 1 LED display
- 2 setting pushbutton
- 3 Aseptoflex thread



EC 1935/2004 EHEDG Tested FCM FDA UK CA

Product characteristics

Number of inputs and outputs	Number of digital outputs: 1
Process connection	Aseptoflex

Application

System	gold-plated contacts
Application	hygienic systems
Medium temperature [°C]	-25...95; (for SIP process: ...140 °C)
Pressure rating [bar]	30

Liquids

Application	hygienic systems
Medium temperature [°C]	-25...95; (for SIP process: ...140 °C)

SI6000



Flow monitor

SIS30ABBFPKG/US-100-IPF

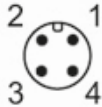
Gases	
Medium temperature	[°C] -25...95; (for SIP process: ...140 °C)
Electrical data	
Operating voltage	[V] 19...36 DC
Current consumption	[mA] < 60
Protection class	III
Reverse polarity protection	yes
Power-on delay time	[s] 10
Inputs / outputs	
Number of inputs and outputs	Number of digital outputs: 1
Outputs	
Total number of outputs	1
Output signal	switching signal
Electrical design	PNP
Number of digital outputs	1
Output function	normally open / closed; (configurable)
Max. voltage drop switching output DC	[V] 2.5
Permanent current rating of switching output DC	[mA] 250
Short-circuit protection	yes
Type of short-circuit protection	yes (non-latching)
Overload protection	yes
Measuring/setting range	
Probe length L	[mm] 55
Liquids	
Setting range	[cm/s] 3...300
Greatest sensitivity	[cm/s] 3...100
Gases	
Setting range	[cm/s] 200...3000
Greatest sensitivity	[cm/s] 200...800
Accuracy / deviations	
Repeatability	[cm/s] 1...5
Note on repeatability	for water 5...100 cm/s; 25 °C Factory setting
Temperature drift	[cm/s x 1/K] 0.1; (for water 5...100 cm/s; 10...70 °C)
Max. temperature gradient of medium	[K/min] 300
Switch point accuracy	[cm/s] ± 2...± 10; (for water 5...100 cm/s; 25 °C; Factory setting)
Hysteresis	[cm/s] 2...5; (for water 5...100 cm/s; 25 °C; Factory setting)
Reaction times	
Response time	[s] 1...10

SI6000



Flow monitor

SIS30ABBFPKG/US-100-IPF

Liquids		
Response time	[s]	1...10
Gases		
Response time	[s]	1...10
Software / programming		
Adjustment of the switch point		pushbuttons
Operating conditions		
Ambient temperature	[°C]	-25...60
Protection		IP 67; IP 69K
Tests / approvals		
EMC	EN 61000-4-2 ESD	4 kV CD / 8 kV AD
	EN 61000-4-3 HF radiated	10 V/m
	EN 61000-4-4 Burst	2 kV
	EN 61000-4-6 HF conducted	10 V
Shock resistance	DIN IEC 68-2-27	50 g (11 ms)
Vibration resistance	DIN EN 60068-2-6	10 g (55...2000 Hz)
MTTF	[years]	298
Mechanical data		
Weight	[g]	381
Material		stainless steel (1.4404 / 316L); PC; PBT-GF20; EPDM/X; O-ring: FKM
Materials (wetted parts)		stainless steel (1.4435 / 316L); surface characteristics: Ra < 0,4 / Rz 4
Process connection		Aseptoflex
Installation length EL	[mm]	69.5
Displays / operating elements		
Display	Function	10 x LED, three-color
Remarks		
Notes		Please do not use for new projects.; no more adapters available as accessories
Pack quantity		1 pcs.
Electrical connection		
Connector: 1 x M12; coding: A; Contacts: gold-plated		
		

SI6000



Flow monitor

SIS30ABBFPKG/US-100-IPF

Connection

