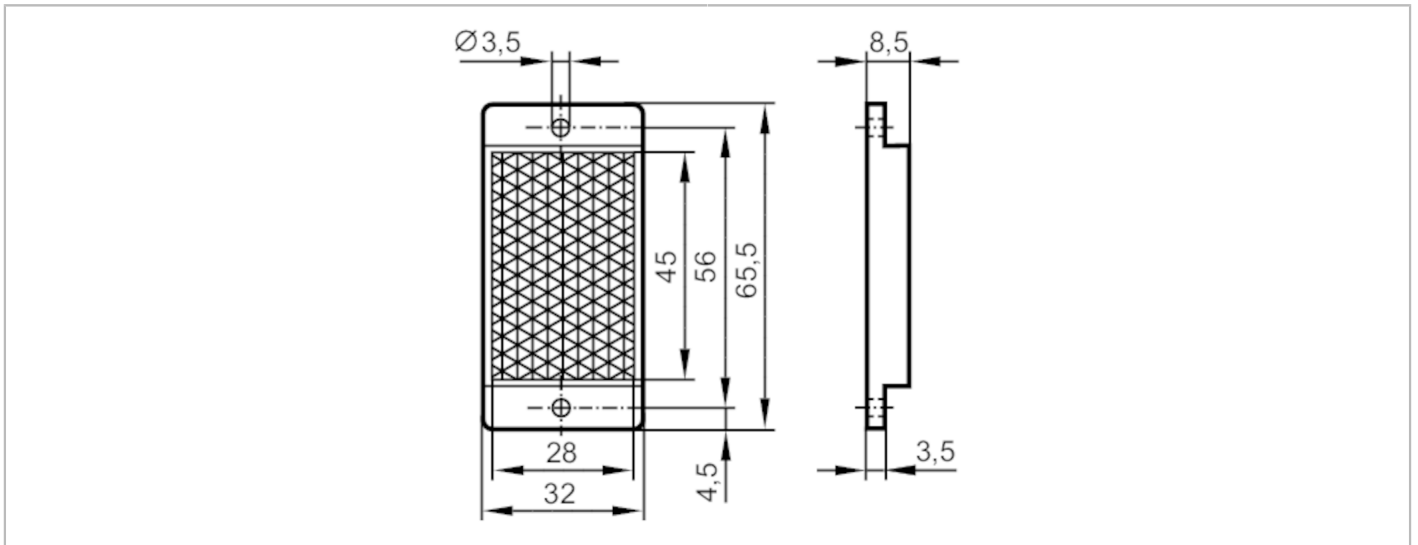


E20452



Reflector for retro-reflective sensors

REFLECTOR TS-45x28



Application

Design rectangular, for red light and infrared light retro-reflective sensors

Operating conditions

Ambient temperature [°C] -10...60

Mechanical data

Weight [g] 11.5
Dimensions [mm] 32 x 65.5 x 8.5
Reflector surface [mm] 45 x 28
Materials plastics

Remarks

Pack quantity 1 pcs.