

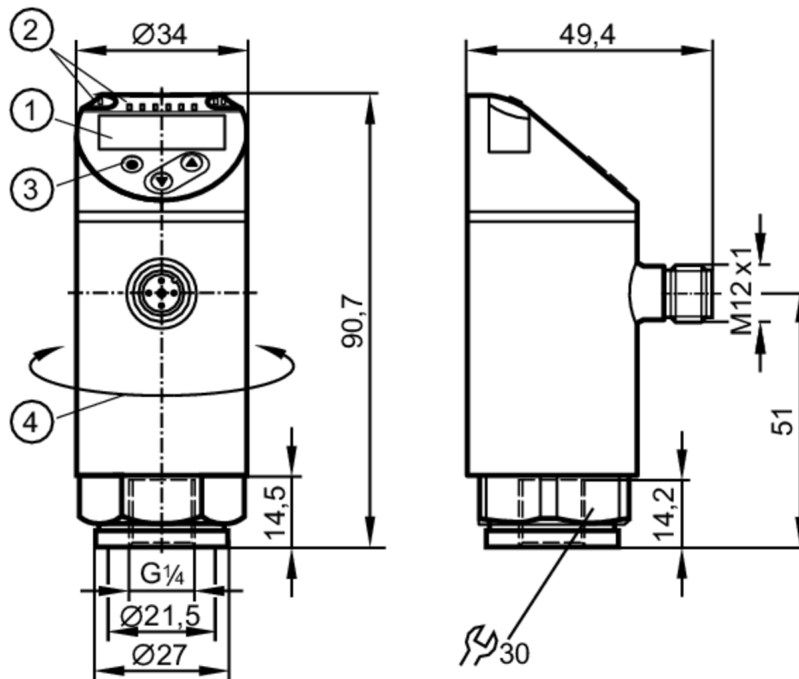
PN2098



Pressure sensor with display

PN-,25-RER14-MFRKG/US/IV

When selecting an alternative article and accessories please note that technical data may differ!



- 1 alphanumeric display 4-digit red/green
- 2 LEDs Display unit / switching status
- 3 programming button
- 4 upper part of the housing can be rotated 345°



Product characteristics

Number of inputs and outputs	Number of digital outputs: 2; Number of analogue outputs: 1			
Measuring range	-0.0125...0.25 bar	-12.5...250 mbar	-5...100.4 inH2O	-1.25...25 kPa -127...2549 mmWS
Process connection	threaded connection G 1/4 internal thread (DIN EN ISO 1179-2)			

Application

Special feature	Gold-plated contacts			
Measuring element	ceramic-capacitive pressure measuring cell			
Application	for industrial applications			
Media	liquids and gases			
Medium temperature [°C]	-25...80			
Min. bursting pressure	30000 mbar	12000 inH2O	3000 kPa	306000 mmWS
Pressure rating	10000 mbar	4000 inH2O	1000 kPa	102000 mmWS
Vacuum resistance [mbar]	-1000			
Type of pressure	relative pressure			

Electrical data

Operating voltage [V]	18...30 DC; (to SELV/PELV)			
Current consumption [mA]	< 35			
Min. insulation resistance [MΩ]	100; (500 V DC)			

PN2098



Pressure sensor with display

PN-,25-RER14-MFRKG/US/IV

Protection class	III
Reverse polarity protection	yes
Power-on delay time [s]	0.3
Integrated watchdog	yes

Inputs / outputs

Number of inputs and outputs	Number of digital outputs: 2; Number of analogue outputs: 1
------------------------------	---

Outputs

Total number of outputs	2
Output signal	switching signal; analogue signal; IO-Link; (configurable)
Electrical design	PNP/NPN
Number of digital outputs	2
Output function	normally open / normally closed; (parameterisable)
Max. voltage drop switching output DC [V]	2
Permanent current rating of switching output DC [mA]	250
Switching frequency DC [Hz]	< 500
Number of analogue outputs	1
Analogue current output [mA]	4...20; (scalable 1:5)
Max. load [Ω]	500
Analogue voltage output [V]	0...10; (scalable 1:5)
Min. load resistance [Ω]	2000
Short-circuit protection	yes
Type of short-circuit protection	pulsed
Overload protection	yes

Measuring/setting range

Measuring range	-0.0125...0.25 bar	-12.5...250 mbar	-5...100.4 inH2O	-1.25...25 kPa	-127...2549 mmWS
Analogue start point	-12.5...200 mbar	-5...80.2 inH2O	-1.25...20 kPa	-125...2040 mmWS	
Analogue end point	37.5...250 mbar	15...100.4 inH2O	3.75...25 kPa	385...2550 mmWS	

Factory setting / CMPT = 2

Set point SP	-10.9...250 mbar	-4.4...100.4 inH2O	-1.09...25 kPa	-112...2550 mmWS
Reset point rP	-12...249 mbar	-4.8...100 inH2O	-1.2...24.9 kPa	-122...2539 mmWS
Min. difference between SP and rP	1.5 mbar	0.6 inH2O	0.15 kPa	15 mmWS
In steps of	0.5 mbar	0.2 inH2O	0.05 kPa	5 mmWS

Status_B High Resolution / CMPT = 3

Set point SP	-11...250 mbar	-4.4...100.4 inH2O	-1.1...25 kPa	-110...2550 mmWS
Reset point rP	-12...249 mbar	-4.8...100 inH2O	-1.2...24.9 kPa	-120...2540 mmWS
Min. difference between SP and rP	1.1 mbar	0.5 inH2O	0.11 kPa	11 mmWS
In steps of	0.1 mbar	0.1 inH2O	0.01 kPa	1 mmWS

Accuracy / deviations

Switch point accuracy [% of the span]	< ± 0,4; (Turn down 1:1)
---------------------------------------	--------------------------

PN2098



Pressure sensor with display

PN-,25-RER14-MFRKG/US/IV

Repeatability [% of the span]	< ± 0,1; (with temperature fluctuations < 10 K; Turn down 1:1)
Characteristics deviation [% of the span]	< ± 0,25 (BFSL) / < ± 0,5 (LS); (Turn down 1:1; BFSL = Best Fit Straight Line; LS = limit value setting)
Hysteresis deviation [% of the span]	< ± 0,1; (Turn down 1:1)
Long-term stability [% of the span]	< ± 0,05; (Turn down 1:1; per 6 months)
Temperature coefficient zero point [% of the span / 10 K]	< ± 0,2; (-0...80 °C)
Temperature coefficient span [% of the span / 10 K]	< ± 0,2; (-0...80 °C)
Notes on the accuracy / deviation	switch point accuracy, linearity error under DNV GL: < ± 1%: < ± 1%

Response times

Response time [ms]	< 1.5
Delay time programmable dS, dr [s]	0...50
Damping process value dAP [s]	0...4
Damping for the analogue output dAA [s]	0...4
Max. response time analogue output [ms]	3

Software / programming

Parameter setting options	hysteresis / window; normally open / normally closed; switch-on/ switch-off delay; Damping; Display unit; current/voltage output
---------------------------	--

Interfaces

Communication interface	IO-Link						
Transmission type	COM2 (38,4 kBaud)						
IO-Link revision	1.1						
SDCI standard	IEC 61131-9						
SIO mode	yes						
Required master port type	A; (when pin 2 not connected: B)						
Supported DeviceIDs	<table border="1"> <tr> <th>Type of operation</th> <th>DeviceID</th> </tr> <tr> <td>Factory setting / CMPT = 2</td> <td>466</td> </tr> <tr> <td>Status_B High Resolution / CMPT = 3</td> <td>982</td> </tr> </table>	Type of operation	DeviceID	Factory setting / CMPT = 2	466	Status_B High Resolution / CMPT = 3	982
Type of operation	DeviceID						
Factory setting / CMPT = 2	466						
Status_B High Resolution / CMPT = 3	982						
Note	For further information please see the IO-Link PDF file under "Downloads"						

Factory setting / CMPT = 2

Profiles	Smart Sensor: Process Data Variable; Device Identification, Device Diagnosis						
Min. process cycle time [ms]	2.3						
IO-Link resolution pressure [mbar]	0.1						
IO-Link process data (cyclical)	<table border="1"> <tr> <th>function</th> <th>bit length</th> </tr> <tr> <td>pressure</td> <td>14</td> </tr> <tr> <td>binary switching information</td> <td>2</td> </tr> </table>	function	bit length	pressure	14	binary switching information	2
function	bit length						
pressure	14						
binary switching information	2						
IO-Link functions (acyclical)	application specific tag						

PN2098



Pressure sensor with display

PN-,25-RER14-MFRKG/US/ IV

Status_B High Resolution / CMPT = 3		
Profiles	Smart Sensor ED2: Digital Measuring Sensor (0x000A), Identification and Diagnosis (0x4000)	
Min. process cycle time [ms]	3	
IO-Link resolution pressure [mbar]	0.1	
IO-Link process data (cyclical)	function	bit length
	pressure	16
	device status	4
	binary switching information	2
IO-Link functions (acyclical)	application specific tag	
Operating conditions		
Ambient temperature [°C]	-25...80	
Storage temperature [°C]	-40...100	
Protection	IP 65; IP 67	
Tests / approvals		
EMC	DIN EN 61000-6-2	
	DIN EN 61000-6-3	
Shock resistance	DIN EN 60068-2-27	50 g (11 ms)
Vibration resistance	DIN EN 60068-2-6	20 g (10...2000 Hz)
MTTF [years]	145	
UL approval	UL Approval no.	J012
Pressure Equipment Directive	Sound engineering practice; can be used for group 2 fluids; group 1 fluids on request	
Mechanical data		
Weight [g]	237.5	
Materials	stainless steel (1.4404 / 316L); PBT+PC-GF30; PBT-GF20; PC	
Materials (wetted parts)	stainless steel (1.4404 / 316L); Al2O3 (ceramics); FKM	
Min. pressure cycles	100 million	
Tightening torque [Nm]	25...35; (recommended tightening torque; depends on lubrication, seal and pressure rating)	
Process connection	threaded connection G 1/4 internal thread (DIN EN ISO 1179-2)	
Restrictor element integrated	no (can be retrofitted)	
Displays / operating elements		
Display	Display unit	4 x LED, green (mbar, mmWS, kPa, inH2O)
	switching status	2 x LED, yellow
	measured values	alphanumeric display, red/green 4-digit
Remarks		
Pack quantity	1 pcs.	
Electrical connection		
Connector: 1 x M12; coding: A; Contacts: gold-plated		

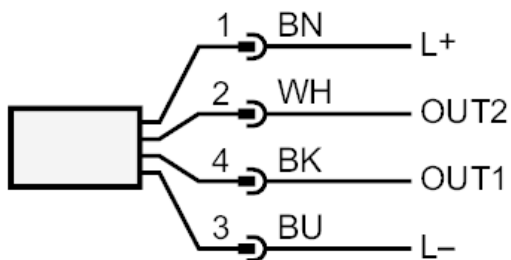
PN2098



Pressure sensor with display

PN-,25-RER14-MFRKG/US/IV

Connection



OUT1	switching output
	IO-Link
OUT2	switching output
	analogue output
	Core colours :
BK =	black
BN =	brown
BU =	blue
WH =	white