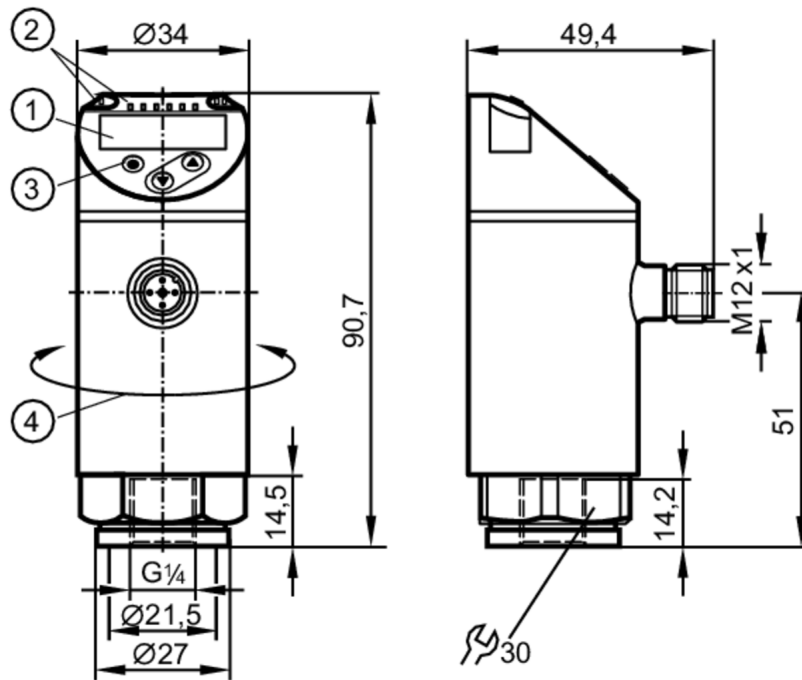


PN7070



Pressure sensor with display

PN-400-SER14-QFRKG/US/ IV



- 1 alphanumeric display 4-digit red/green
- 2 LEDs Display unit / switching status
- 3 programming button
- 4 upper part of the housing can be rotated 345°



Product characteristics

Number of inputs and outputs	Number of digital outputs: 2		
Measuring range	0...400 bar	0...5800 psi	0...40 MPa
Process connection	threaded connection G 1/4 internal thread		

Application

Special feature	Gold-plated contacts		
Measuring element	metallic thin film cell		
Application	for industrial applications		
Media	liquids and gases		
Medium temperature [°C]	-25...80		
Min. bursting pressure	1700 bar	24650 psi	170 MPa
Pressure rating	800 bar	11580 psi	80 MPa
Vacuum resistance [mbar]	-1000		
Type of pressure	relative pressure		

Electrical data

Operating voltage [V]	18...30 DC; (to SELV/PELV)		
Current consumption [mA]	< 35		
Min. insulation resistance [MΩ]	100; (500 V DC)		
Protection class	III		
Reverse polarity protection	yes		
Power-on delay time [s]	< 0.3		

PN7070



Pressure sensor with display

PN-400-SER14-QFRKG/US/ IV

Integrated watchdog	yes
---------------------	-----

Inputs / outputs

Number of inputs and outputs	Number of digital outputs: 2
------------------------------	------------------------------

Outputs

Total number of outputs	2
Output signal	switching signal; IO-Link; (configurable)
Electrical design	PNP/NPN
Number of digital outputs	2
Output function	normally open / normally closed; (parameterisable)
Max. voltage drop switching output DC [V]	2.5
Permanent current rating of switching output DC [mA]	150; (200 (...60 °C) 250 (...40 °C))
Switching frequency DC [Hz]	< 170
Short-circuit protection	yes
Type of short-circuit protection	pulsed
Overload protection	yes

Measuring/setting range

Measuring range	0...400 bar	0...5800 psi	0...40 MPa
Factory setting / CMPT = 2			
Set point SP	4...400 bar	40...5800 psi	0.4...40 MPa
Reset point rP	2...398 bar	20...5780 psi	0.2...39.8 MPa
Min. difference between SP and rP	2 bar	40 psi	0.2 MPa
In steps of	2 bar	20 psi	0.2 MPa
Status_B High Resolution / CMPT = 3			
Set point SP	3...400 bar	49...5802 psi	0.3...40 MPa
Reset point rP	1...398 bar	20...5773 psi	0.1...39.8 MPa
Min. difference between SP and rP	2 bar	30 psi	0.2 MPa
In steps of	1 bar	1 psi	0.1 MPa

Accuracy / deviations

Switch point accuracy [% of the span]	< ± 0,5
Repeatability [% of the span]	< ± 0,1; (with temperature fluctuations < 10 K)
Characteristics deviation [% of the span]	< ± 0,25 (BFSL) / < ± 0,5 (LS); (BFSL = Best Fit Straight Line; LS = limit value setting)
Hysteresis deviation [% of the span]	< ± 0,25
Long-term stability [% of the span]	< ± 0,05; (per 6 months)
Temperature coefficient zero point [% of the span / 10 K]	0,2; (-25...80 °C)
Temperature coefficient span [% of the span / 10 K]	0,2; (-25...80 °C)

PN7070



Pressure sensor with display

PN-400-SER14-QFRKG/US/ IV

Response times		
Response time [ms]	< 3	
Delay time programmable dS, dr [s]	0...50	
Software / programming		
Parameter setting options	hysteresis / window; normally open / normally closed; switching logic; switch-on/switch-off delay; Damping; Display unit	
Interfaces		
Communication interface	IO-Link	
Transmission type	COM2 (38,4 kBaud)	
IO-Link revision	1.1	
SDCI standard	IEC 61131-9	
SIO mode	yes	
Required master port type	A; (when pin 2 not connected: B)	
Process data analogue	1	
Process data binary	2	
Supported DeviceIDs	Type of operation	DeviceID
	Factory setting / CMPT = 2	399
	Status_B High Resolution / CMPT = 3	597
	PN7000	307
Note	For further information please see the IODD PDF file under "Downloads"	
Factory setting / CMPT = 2		
Profiles	Smart Sensor: Process Data Variable; Device Identification, Device Diagnosis	
Min. process cycle time [ms]	2.3	
IO-Link resolution pressure [bar]	1	
IO-Link resolution pressure [MPa]	0.1	
IO-Link process data (cyclical)	function	bit length
	pressure	14
	binary switching information	2
IO-Link functions (acyclical)	application specific tag	
Status_B High Resolution / CMPT = 3		
Profiles	Smart Sensor ED2: Digital Measuring Sensor (0x000A), Identification and Diagnosis (0x4000)	
Min. process cycle time [ms]	3	
IO-Link resolution pressure [bar]	0.2	
IO-Link resolution pressure [MPa]	0.02	
IO-Link process data (cyclical)	function	bit length
	pressure	16
	device status	4
	binary switching information	2
IO-Link functions (acyclical)	application specific tag	
Operating conditions		
Ambient temperature [°C]	-25...80	
Storage temperature [°C]	-40...100	
Protection	IP 65; IP 67	

PN7070



Pressure sensor with display

PN-400-SER14-QFRKG/US/ IV

Tests / approvals		
EMC	DIN EN 61000-6-2	
	DIN EN 61000-6-3	
Shock resistance	DIN EN 60068-2-27	50 g (11 ms)
Vibration resistance	DIN EN 60068-2-6	20 g (10...2000 Hz)
MTTF [years]		214
UL approval	UL Approval no.	J003
Pressure Equipment Directive	Sound engineering practice; can be used for group 2 fluids; group 1 fluids on request	

Mechanical data		
Weight [g]	240	
Materials	1.4542 (17-4 PH / 630); stainless steel (1.4404 / 316L); PBT+PC-GF30; PBT-GF20; PC	
Materials (wetted parts)	1.4542 (17-4 PH / 630)	
Min. pressure cycles	100 million	
Tightening torque [Nm]	25...35; (recommended tightening torque; depends on lubrication, seal and pressure rating)	
Process connection	threaded connection G 1/4 internal thread	
Restrictor element integrated	no (can be retrofitted)	

Displays / operating elements		
Display	Display unit	3 x LED, green (bar, psi, MPa)
	switching status	2 x LED, yellow
	measured values	alphanumeric display, red/green 4-digit

Remarks		
Pack quantity	1 pcs.	

Electrical connection

Connector: 1 x M12; coding: A; Contacts: gold-plated



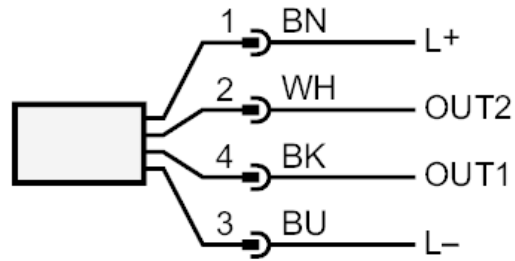
PN7070



Pressure sensor with display

PN-400-SER14-QFRKG/US/ IV

Connection



OUT1	switching output IO-Link
OUT2	switching output colours to DIN EN 60947-5-2 Core colours :
BK =	black
BN =	brown
BU =	blue
WH =	white