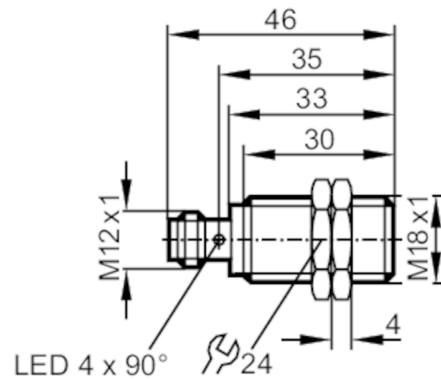




Inductive sensor

IGB2008BARKG/M/US-104-DRS



Product characteristics	
Electrical design	PNP/NPN
Output function	normally open
Sensing range [mm]	8
Housing	threaded type
Dimensions [mm]	M18 x 1 / L = 46
Application	
Special feature	Gold-plated contacts; Increased sensing range
Application	Industrial applications / factory automation
Electrical data	
Operating voltage [V]	10...30 DC
Protection class	II
Reverse polarity protection	yes
Outputs	
Electrical design	PNP/NPN
Output function	normally open
Max. voltage drop switching output DC [V]	2.5
Minimum load current [mA]	2
Max. leakage current [mA]	0.5
Permanent current rating of switching output DC [mA]	100
Switching frequency DC [Hz]	300
Short-circuit protection	yes
Type of short-circuit protection	pulsed
Overload protection	yes
Detection zone	
Sensing range [mm]	8
Real sensing range Sr [mm]	8 ± 10 %

IGS200



Inductive sensor

IGB2008BARKG/M/US-104-DRS

Operating distance	[mm]	0...6.5
Increased sensing range		yes

Accuracy / deviations		
Correction factor		steel: 1 / stainless steel: 0.7 / brass: 0.5 / aluminium: 0.4 / copper: 0.3
Hysteresis	[% of Sr]	3...15
Switch point drift	[% of Sr]	-10...10

Operating conditions		
Ambient temperature	[°C]	-25...70
Protection		IP 67

Tests / approvals		
EMC	EN 61000-4-2 ESD	4 kV CD / 8 kV AD
	EN 61000-4-3 HF radiated	10 V/m
	EN 61000-4-4 Burst	2 kV
	EN 61000-4-6 HF conducted	10 V
	EN 55011	class B
MTTF	[years]	2655
UL approval	Ta	0...40 °C
	Enclosure type	Type 1
	power supply	Hazardous voltage
	File number UL	E174191

Mechanical data		
Weight	[g]	43.4
Housing		threaded type
Mounting		flush mountable
Dimensions	[mm]	M18 x 1 / L = 46
Thread designation		M18 x 1
Materials		brass white bronze coated; sensing face: PBT

Displays / operating elements		
Display	switching status	4 x 90° LED, yellow

Accessories		
Items supplied		lock nuts: 2

Remarks		
Remarks		Conventional 3-wire pnp sensors can be replaced. In this case pin 3 (grey in the wiring diagram) is not used.
Pack quantity		1 pcs.

Electrical connection - plug

Connector: 1 x M12; coding: A; Contacts: gold-plated



IGS200



Inductive sensor

IGB2008BARKG/M/US-104-DRS

Connection

